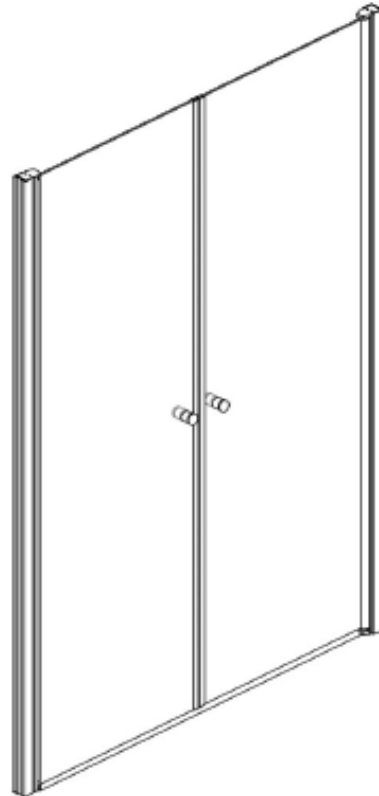


D	Montageanleitung
E	Mounting instructions
HR	Naputci za montažu
SLO	Navodila za montažo
HU	Szerelési útmutató
RO	Instructiuni de montaj
CZ	Montážní návod
SK	Montážní návod
BG	Инструкции за инсталиране
PL	Instrukcja instalacji
GR	Οδηγίες Εγκατάστασης
IT	Istruzioni per l'installazione



Symbol foto



SANOTECHNIK
Handelsgesellschaft m.b.H.
Industriestraße 5
A-2752 Wöllersdorf
Tel.: +43 2622 / 421 93 0
Fax: +43 2622 / 421 93 6
office@sanotechnik.at
www.sanotechnik.com



SANOTECHNIK Hungária Kft.
MAGYARORSZÁG
Nagytétényi út 112
H-1222 BUDAPEST
Tel.: (+36 1) 424 06 70
Fax: (+36 1) 424 06 79
info@sanotechnik.hu
www.sanotechnik.com



SC Sanotechnik COM
RUMĂNIEN S.R.L
Tancabesti, DN 1, KM 26,5
Com. Snagov, jud. Ilfov
Tel.: +40 21 350 13 43
Fax: +40 21 350 13 44
office@sanotechnik.ro
www.sanotechnik.com



SANOTECHNIK d.o.o.
SLOVENIJA
Stritarjevca ulica 24
SI-2000 MARIBOR
Tel.: +3862/4213350
Fax: +3862/4213358
info@sanotechnik.si
www.sanotechnik.com



Sanotechnik Bulgaria Ltd.
BULGARIA
3, Georgi Benev St.
BG-4003 Plovdiv
Tel: +359 32 961101
Fax: +359 32 961102
office@sanotechnik.bg
www.sanotechnik.com



SANOTECHNIK ITALIA SRL.
ITALIA
Via Carlo Alberto 240
92024 Canicatti
Tel.: +39 0922 1807908
Fax: +39 0922 1807908
sanotechnikitalia@gmail.com
www.sanotechnik.com

SANOTECHNIK®
INTERNATIONAL

◆ General Information

Please inspect the product immediately upon receipt for transit damage, missing packs/parts or manufacturing fault. Damage reported later cannot be accepted. Please handle the product with care avoiding knocks and shock loading to all sides and edges of the glass.

Notes: Safety glass can not be re-worked.

Please read these instructions carefully before start of installation.

Special care should be taken when drilling walls to avoid hidden pipes or electrical cables.

Note: This product is heavy and may require two people to install.

Aftercare instructions

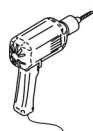
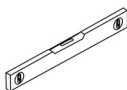
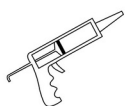
After use, your shower should be cleaned with soap and water. This is particularly important in hard water districts where insoluble lime salts may be deposited and allowed to build up.

Cleaners of a gritty or abrasive nature should not be used. Care should be taken to avoid contact with strong chemicals such as organic solvents and strippers.

Glass cleaners can be used but with caution, if in doubt contact the manufacturer of the cleaner in question.

Please keep these instructions for aftercare and customer service details.






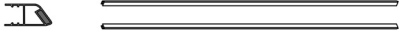


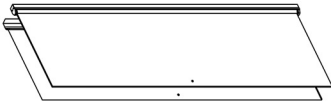
Tools Required



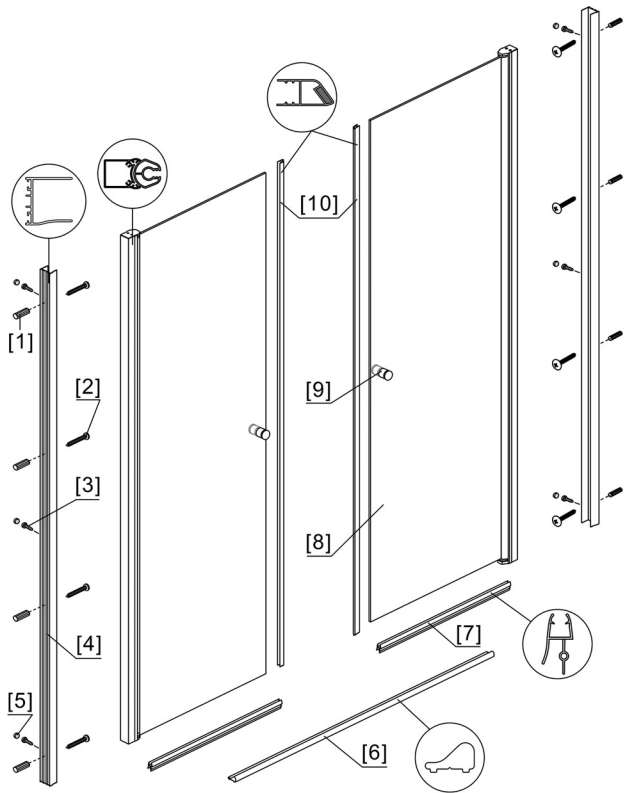
This product is heavy and may require two people to install.



◆ Box Contents

[1] 1xInstallation Instruction.	➔	
[2] 8xWall Plugs. 8xFlat Screws M4x35.	➔	
[3] 6xScrews M4x8. 6xScrew Cover Caps.	➔	
[4] 2xHandle Sets.	➔	
[5] 2xWall Posts.	➔	
[6] 2xMagnetic Seals.	➔	
[7] 1xAluminum Seal.	➔	
[8] 2xWater Deflectors.	➔	
[9] 2xDoor Panels.	➔	

◆ Assembly Drawing

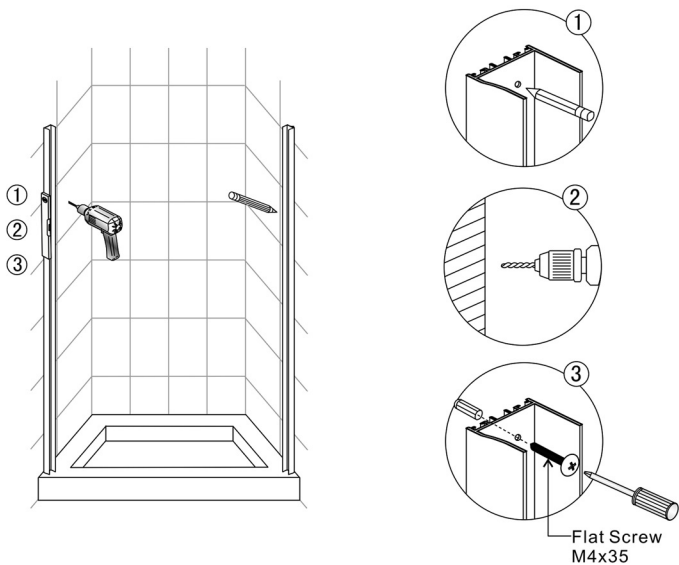


- [1] 8xWall Plugs
- [2] 8xFlat Screws M4x35
- [3] 6xScrews M4x8
- [4] 2xWall Posts
- [5] 6xScrew Cover Caps

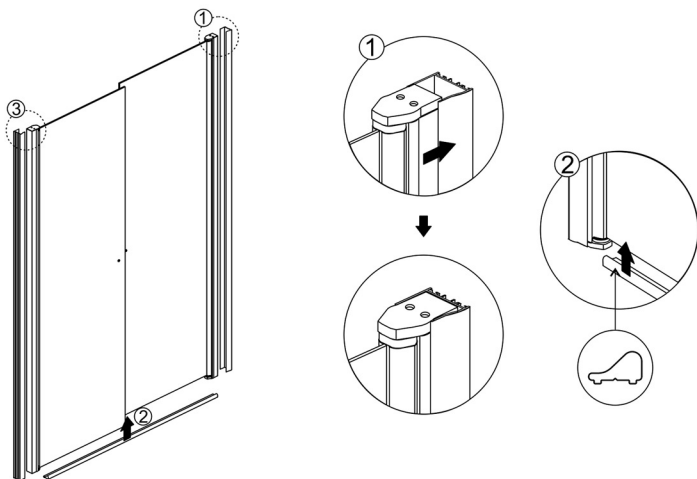
- [6] 1xAluminum Seal
- [7] 2xWater Deflectors
- [8] 2xDoor Panels
- [9] 2xHandle Sets
- [10] 2xMagnetic Seals

◆ Installation Steps

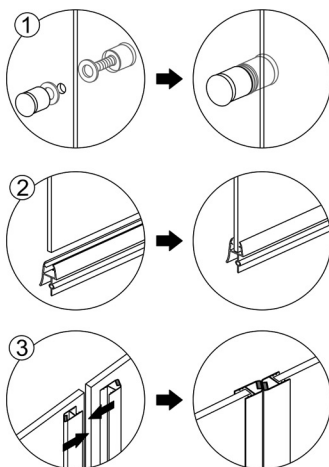
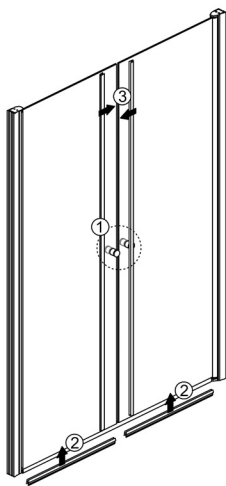
Step 1



Step 2

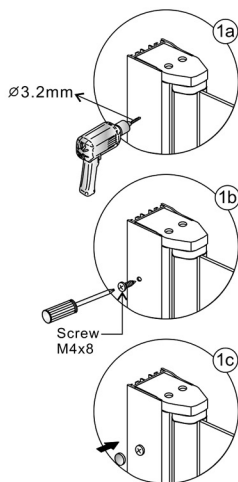
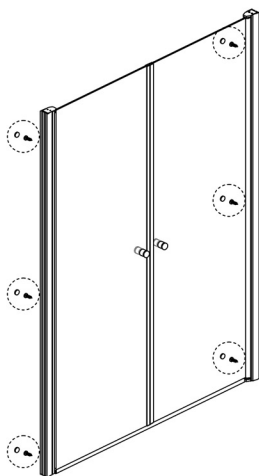


Step 3



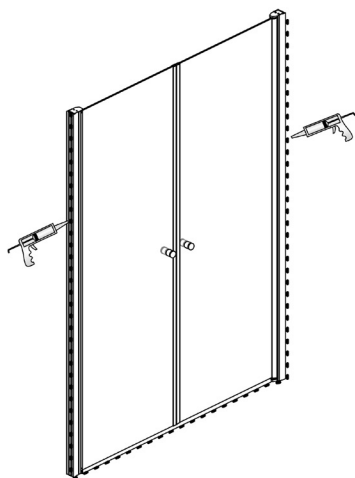
⚠ Ensure wall profiles are plumb.
Adjust enclosure to be square and level.
Wheels should be adjusted to square the doors and ensure smooth running.

Step 4



View from inside

Step 5



Allow 24 hours for silicone to dry before use.